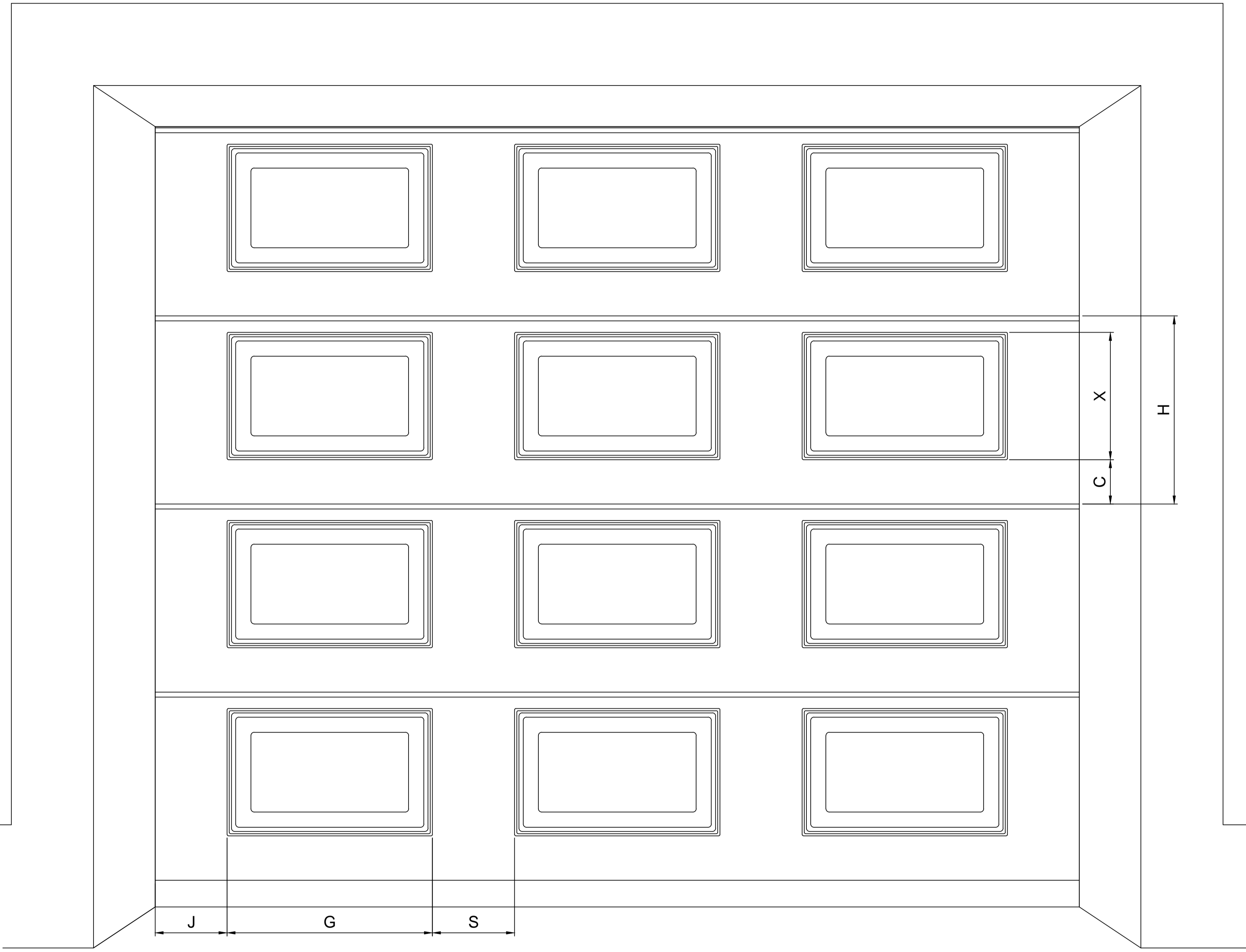
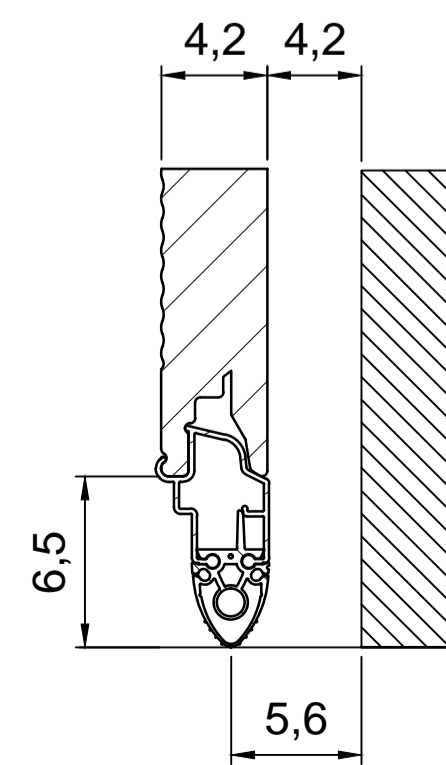
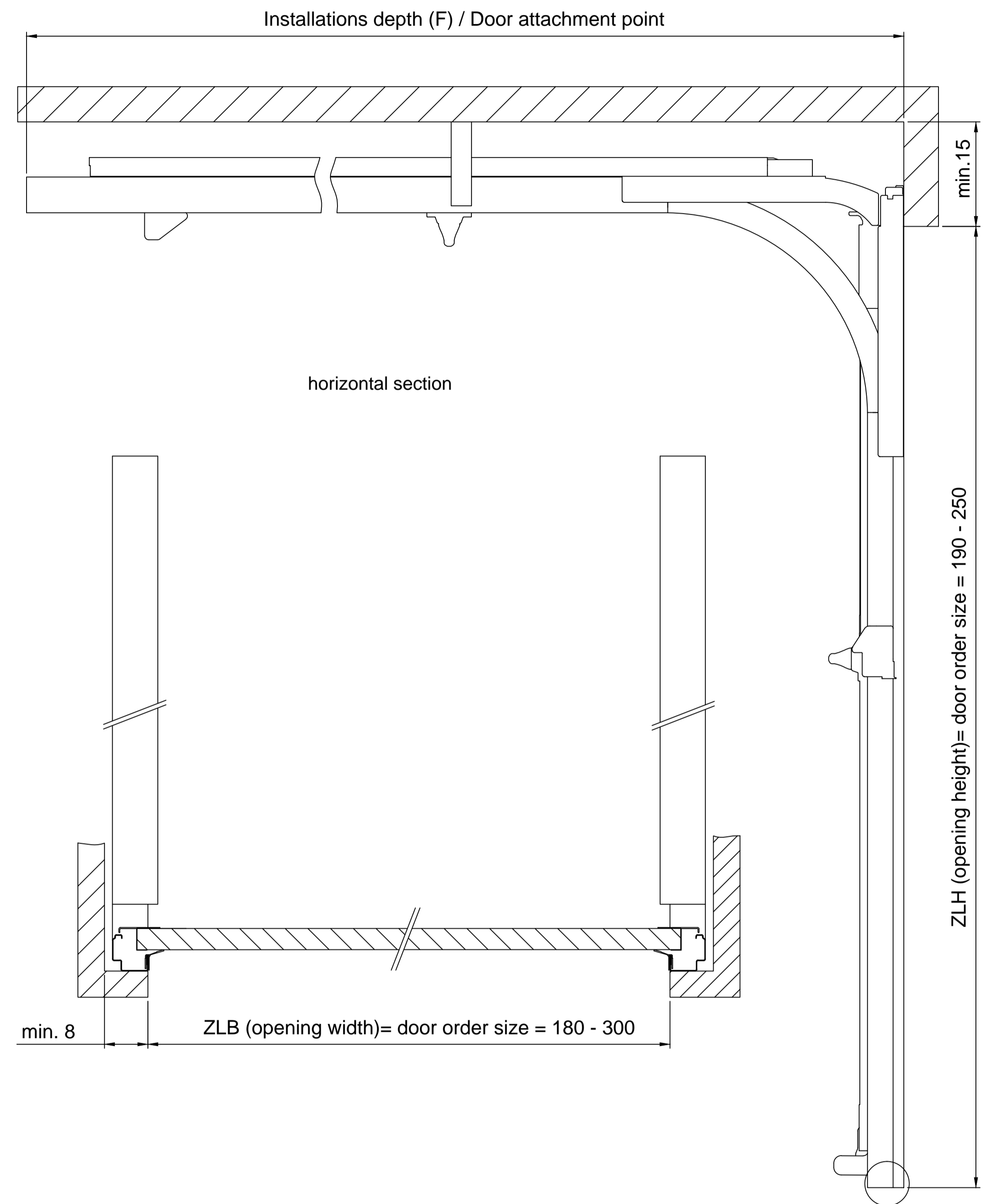


view from outside (elevation)



vertical section



H	ZLB	No of panes	J	S	X	G	C
min. 45,75	225-239,9	3	min. 7,12	min. 10	31	50	min. 9,1
max. 54,5	240-300	4	max. 23,12	max. 20			max. 15,1
Number/height of sections							
Up to ZLH		Till incl. 225 cm	Till incl. 250 cm				
Number	4		5				
Height (grid)	45,8 - 54,5 cm						
ZLH	F						
190	265						
200	265						
212,5	277,5						
225	290						
237,5	302,5						
250	315						

**Overhead sectional door
g60 Classic**
Tension normal lintel