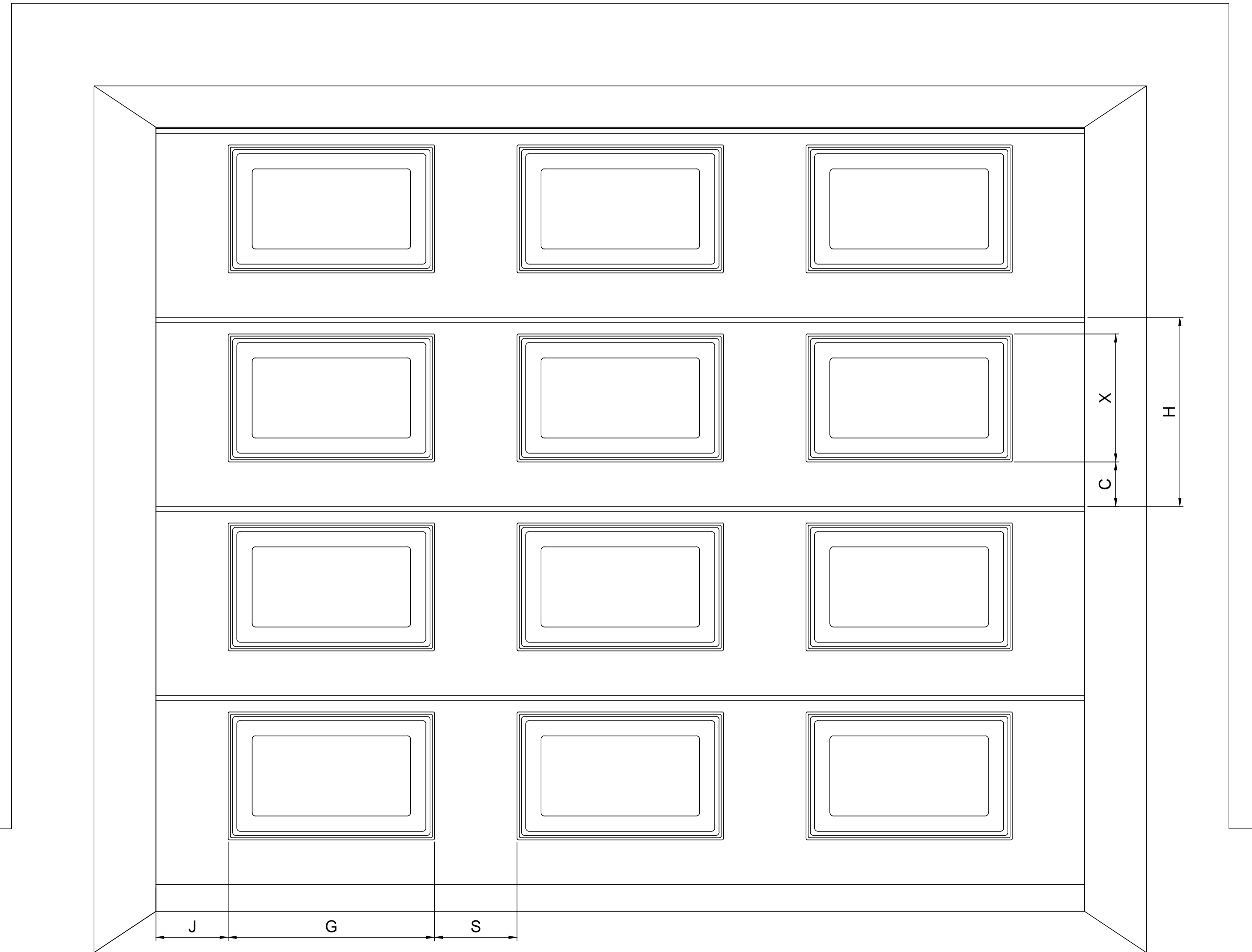
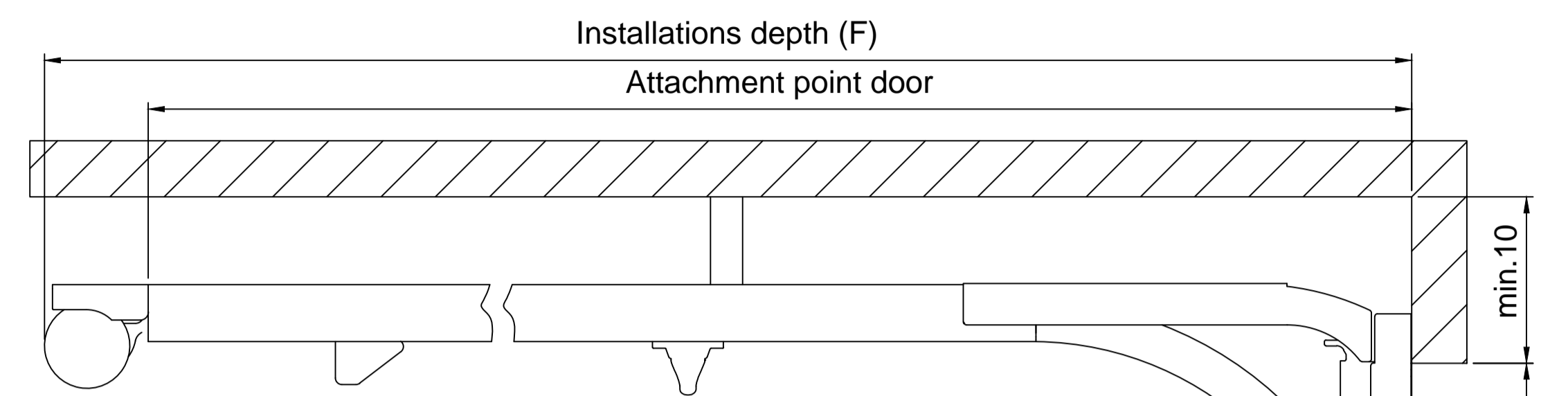


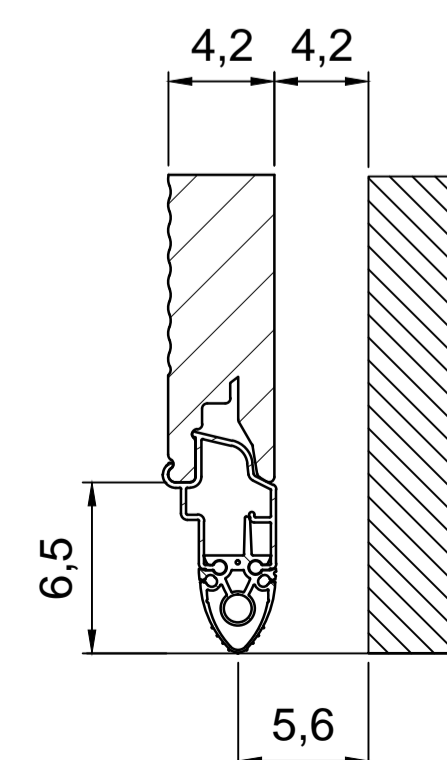
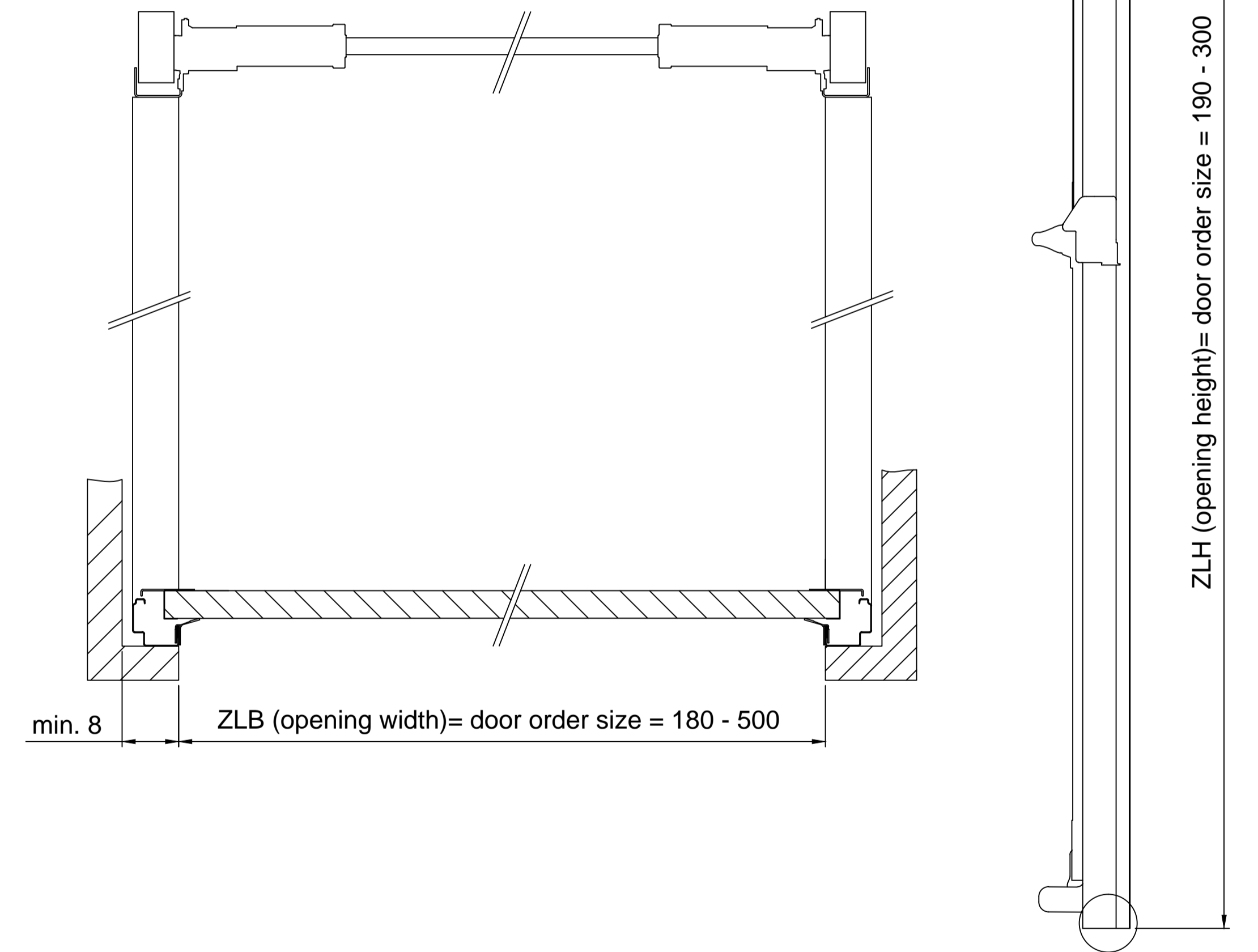
view from outside (elevation)



vertical section



horizontal section



H	ZLB	No of panes	J	S	X	G	C					
min. 45,75 max. 54,5	225-239,9 240-300	3 4	min. 7,12 max. 23,12	min. 10 max. 20	31	50	min. 9,1 max. 15,1					
ZLH	F	Door attachment	Number/height of sections									
190	277	265	Up to ZLH	Till incl. 225 cm	Till incl. 300 cm							
200	277	265	Number	4	5							
212,5	289,5	277,5	Height (grid)	45,8 - 54,5 cm								
225	302	290	Overhead sectional door g60 Classic									
237,5	314,5	302,5						Torsion low lintel				
250	327	315										
265	342	330										
280	357	345										
300	377	365										