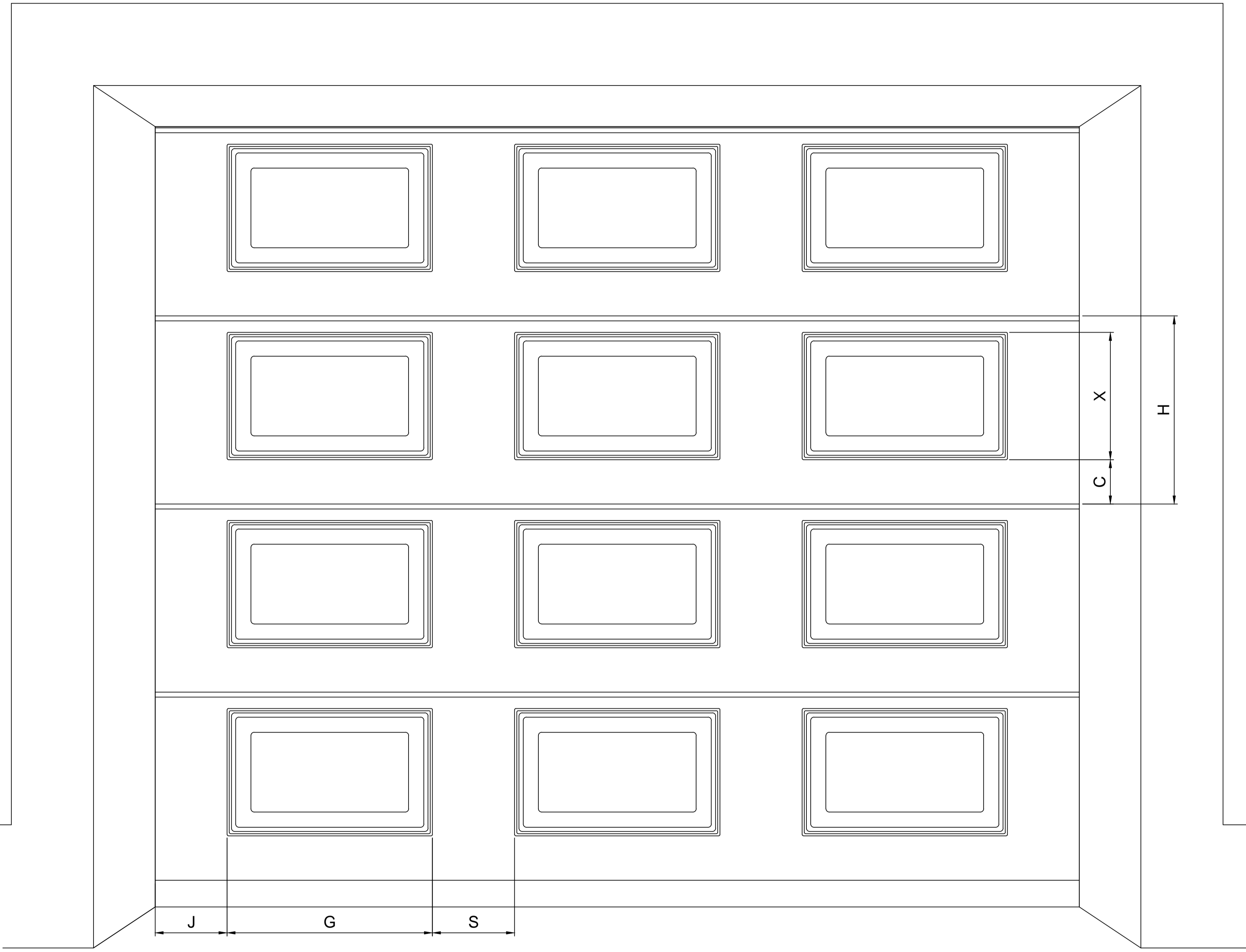
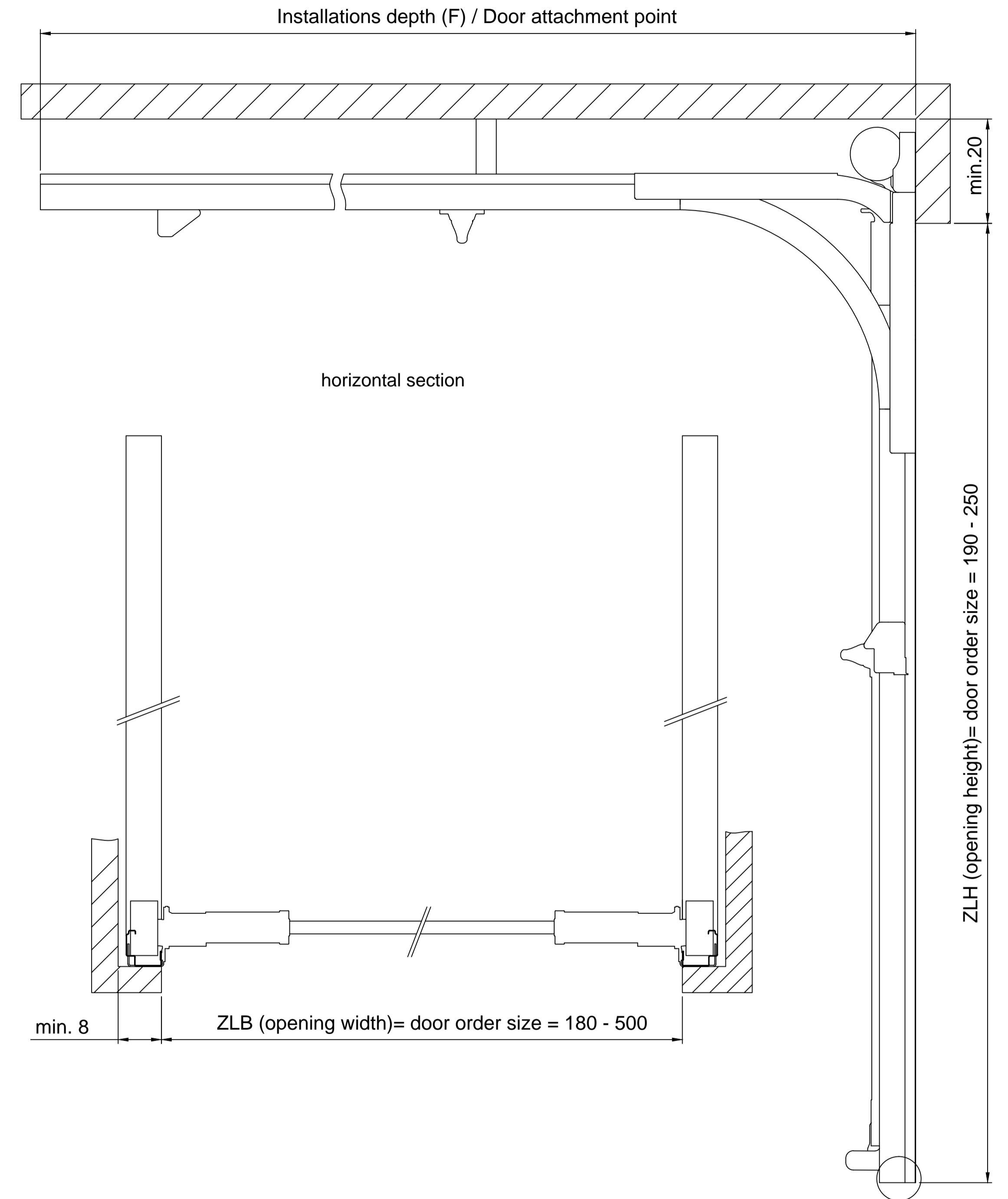


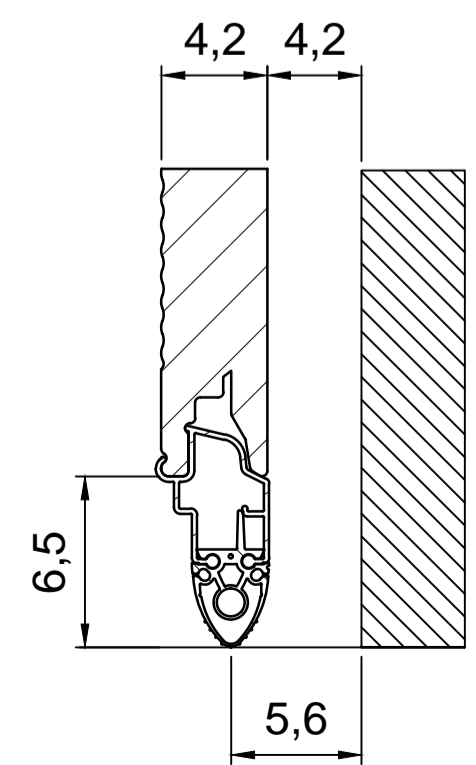
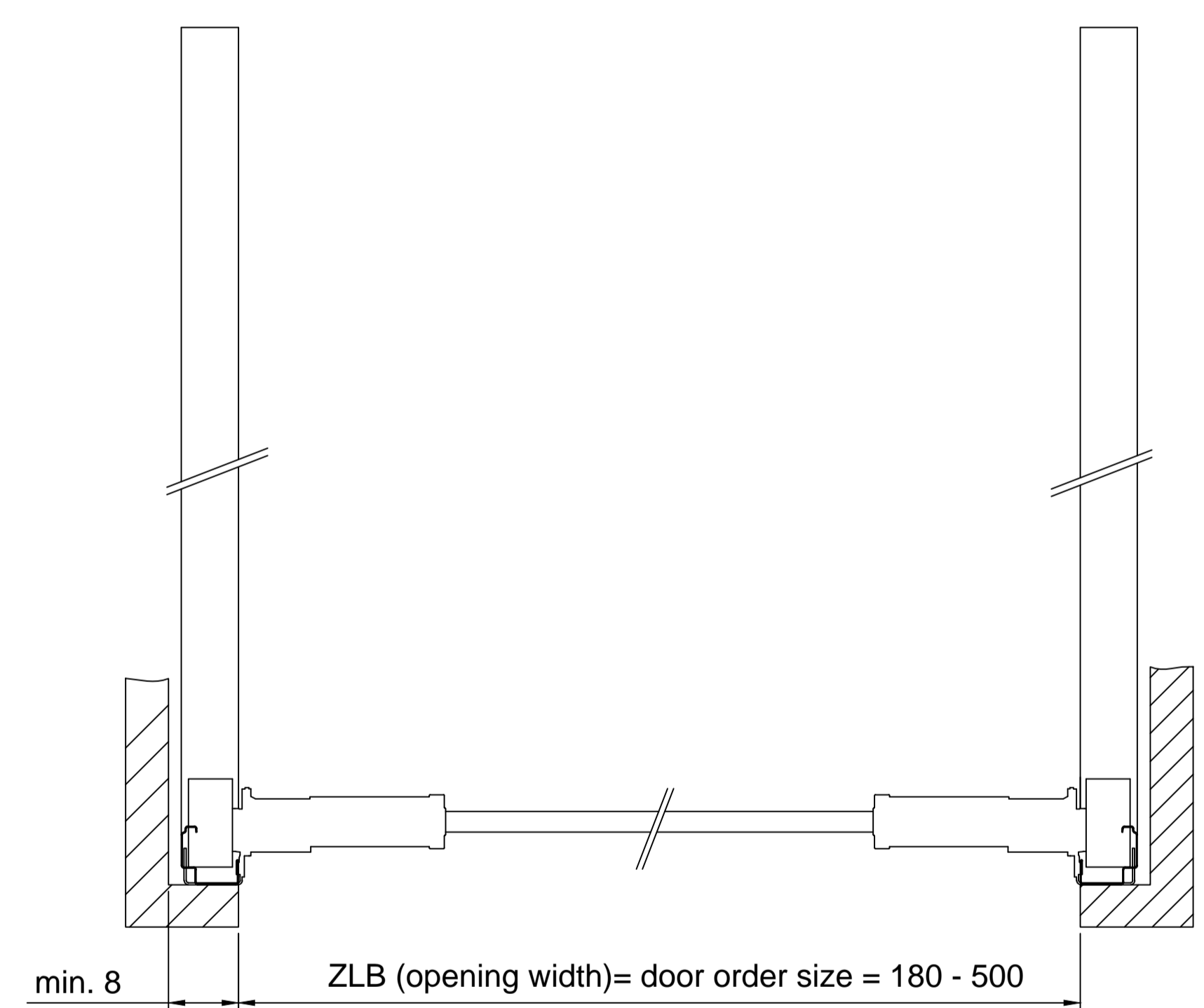
view from outside (elevation)



vertical section



horizontal section



H	ZLB	No of panes	J	S	X	G	C
min. 45,75 max. 54,5	225-239,9	3	min. 7,12 max. 23,12	min. 10 max. 20	31	50	min. 9,1 max. 15,1
	240-309,9	4					
	310-364,9	5					
	365-424,9	6					
	425-500	7					
Number/height of sections							
Up to ZLH	Till incl. 225 cm	Till incl. 250 cm					
Number	4	5					
Height (grid)	45,8 - 54,5 cm						
ZLH	F						
190	265						
200	265						
212,5	277,5						
225	290						
237,5	302,5						
250	315						

**Overhead sectional door
g60 Classic**
Torsion normal lintel